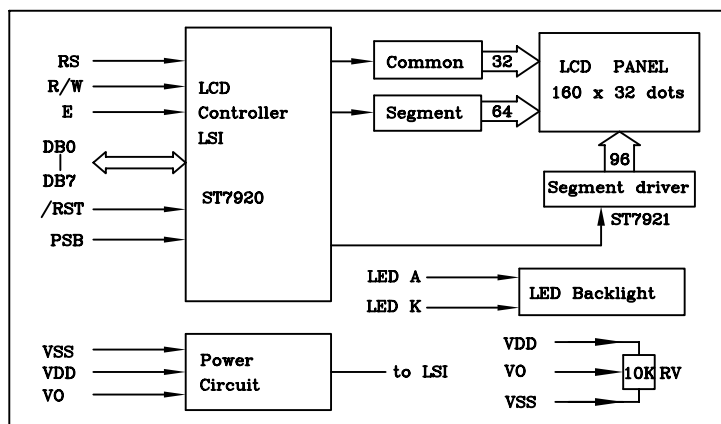


ITEM	SYMBOL	MIN.	MAX.	UNIT
POWER SUPPLY(VDD)	V <sub>DD</sub>	-0.3	7.0	V
INPUT VOLTAGE	V <sub>i</sub>	-0.3	VDD+0.3	V
OPERATING TEMP	T <sub>OP</sub>	-20	+70	°C
STORAGE TEMP	T <sub>st</sub>	-30	+80	°C

ITEM	STANDARD VALUE
Display Type	160 * 32 Dots
LCD Type	STN(Blue/Yellow-Green/Gray) ; FSTN
Drive Method	1/32Duty, 1/6Bias, VOP:5.0V
Viewing Angle	6 0'clock ; 12 0'clock
Backlight Color	White ; Yellow-Green
Control IC	ST7920

### Driver Diagram



PIN DESCRIPTION			
PIN	SYMBOL	LEVEL	FUNCTION
1	VSS	0V	Ground
2	VDD	H	Power Supply For Logic
3	VO	--	Power Supply For LCD
4	RS/CS	H/L	H:Data; L:Instruction Code/Chip Select
5	RW/SID	H/L	H:Read; L:Write(parallel)/ Data(Serial)
6	E1/SCLK1	H/L	Enable Signal(Parallel)/Serial Clock
7-14	DB0-DB7	H/L	Data Bus
15	LEDA	H	Backlight anod
16	VEE	--	Negative Voltage For LCD Driving
15	LEDA	H	Backlight anod
16	VEE	--	Negative Voltage For LCD Driving

深圳市精诚显示技术有限公司

REVISION RECORD		DATE	Model No.: JM16032AC			VER.: A	
1			Part No.: SPEC-JM16032AC			SHEET:	1/1
2			DESIGNER	CHECKED	APPROVED	DATE	UNIT: mm
3							