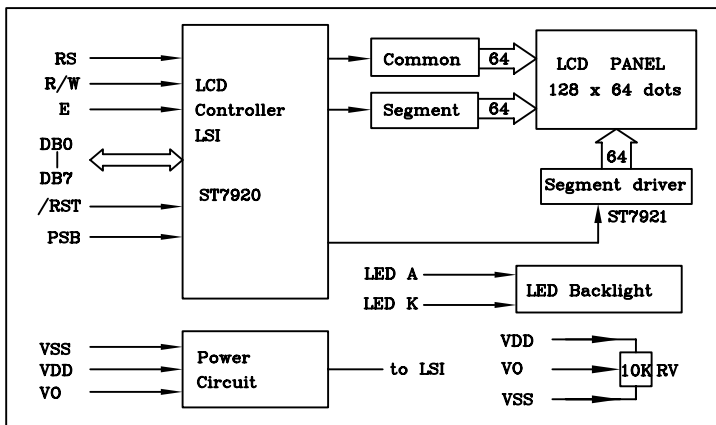


ITEM	SYMBOL	MIN.	MAX.	UNIT
POWER SUPPLY(VDD)	V _{DD}	-0.3	7.0	V
INPUT VOLTAGE	V _i	-0.3	VDD+0.3	V
OPERATING TEMP	T _{OP}	-20	+70	°C
STORAGE TEMP	T _{ST}	-30	+80	°C

ITEM	STANDARD VALUE
Display Type	128 x 64 Dots
LCD Type	STN(Blue)
Drive Method	1/64Duty, 1/9Bias, VOP:6.5V VDD:5.0V
Viewing Angle	6 O'clock
Backlight Color	White ;
Control IC	ST7920

Driver Diagram



PIN	SYMBOL
1	VSS
2	VDD
3	V0
4	RS
5	R/W
6	E
7	DB0
8	DB1
9	DB2
10	DB3
11	DB4
12	DB5
13	DB6
14	DB7