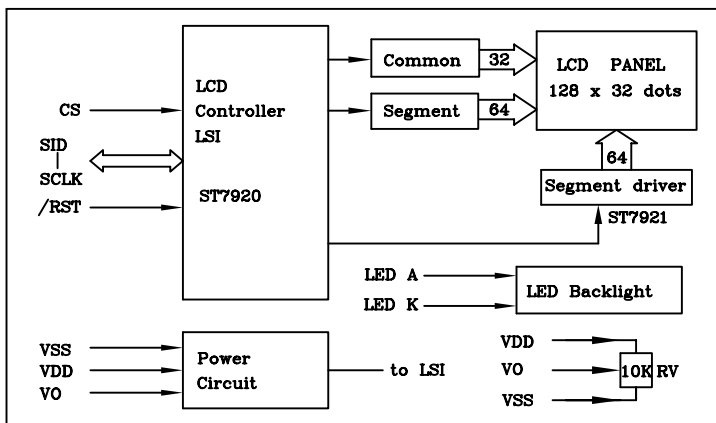


ITEM	SYMBOL	MIN.	MAX.	UNIT
POWER SUPPLY(VDD)	V <sub>DD</sub>	-0.3	7.0	V
INPUT VOLTAGE	V <sub>i</sub>	-0.3	V <sub>DD</sub> +0.3	V
OPERATING TEMP	T <sub>op</sub>	-20	+70	°C
STORAGE TEMP	T <sub>st</sub>	-30	+80	°C

ITEM	STANDARD VALUE
Display Type	128 x 32 Dots
LCD Type	STN(Blue)
Drive Method	1/64Duty, 1/9Bias, VOP:6.5V VDD:3.3V
Viewing Angle	6 O'clock
Backlight Color	White
Control IC	ST7920

### Driver Diagram



PIN DESCRIPTION			
PIN	SYMBOL	LEVEL	FUNCTION
1	LEDA	H	Backlight anod
2	CS	H/L	Chip Select
3	SID	H/L	Data(Serial)
4	SCLK1	H/L	Serial Clock
5	VSS	0V	Ground
6	VDD	H	Power Supply For Logic
7	RST	L	Reset Signal