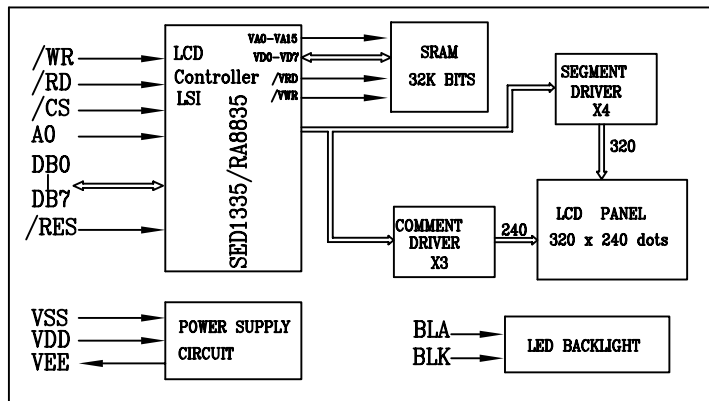


ITEM	SYMBOL	MIN.	MAX.	UNIT
POWER SUPPLY(VDD)	V _{DD}	-0.3	7.0	V
INPUT VOLTAGE	V _i	-0.3	VDD+0.3	V
OPERATING TEMP	T _{op}	-20	+70	°C
STORAGE TEMP	T _{st}	-30	+80	°C

ITEM	STANDARD VALUE
Display Type	320 x 240 Dots
LCD Type	STN(Blue/Yellow-Green/Gray) ; FSTN
Drive Method	1/240Duty, 1/17Bias, VOP:24.0V
Viewing Angle	6 O'clock ; 12 O'clock
Backlight Color	White ; Yellow-Green
Control IC	RA8835/SED1335

PIN DESCRIPTION			
PIN	SYMBOL	LEVEL	FUNCTION
1	VSS	0V	Ground
2	VDD	H	Power Supply For Logic
3	V0	--	Power Supply For LCD
4	/RD	L	Read Signal
5	/WR	L	Write Signal
6	A0	L	H:Instrection Code L:Data Code
7-14	DB0-DB7	H/L	Data Bus
15	/CS	L	Chip Enable Signal
16	/RST	L	Reset Signal
17	LED+	H	Power Supply For Backlight
18	VEE	----	Negative Voltage For LCD Driving
19	LEDA	H	Backlight anod
20	LEDK	L	Backlight Negative

Driver Diagram



深圳市精诚显示技术有限公司

REVISION RECORD		DATE	Model No.: JM320240JC		VER.: A	
1			Part No.: SPEC-JM320240JC		SHEET:	1/1
2			DESIGNER	CHECKED	APPROVED	DATE
3						UNIT: mm