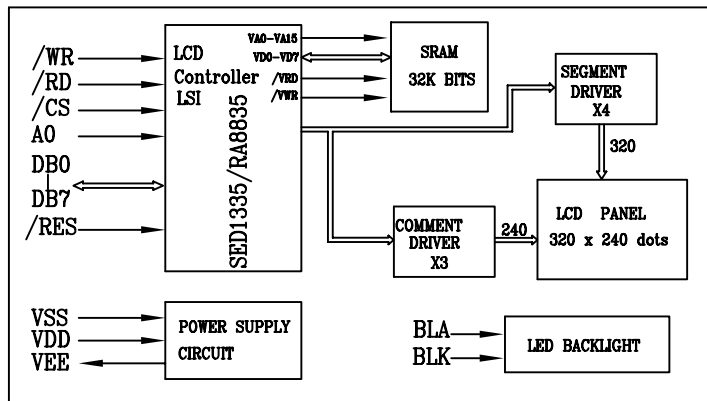


ITEM	SYMBOL	MIN.	MAX.	UNIT
POWER SUPPLY(VDD)	V _{DD}	-0.3	7.0	V
INPUT VOLTAGE	V _i	-0.3	VDD+0.3	V
OPERATING TEMP	Top	-20	+70	°C
STORAGE TEMP	Tst	-30	+80	°C

ITEM	STANDARD VALUE
Display Type	320 x 240 Dots
LCD Type	STN(Blue/Yellow-Green/Gray) ; FSTN
Drive Method	1/240Duty, 1/17Bias, VOP:24.0V
Viewing Angle	6 O'clock ; 12 O'clock
Backlight Color	White ; Yellow-Green
Control IC	RA8835/SED1335

J1 DESCRIPTION			
PIN	SYMBOL	LEVEL	FUNCTION
1	VSS	0V	Ground
2	VDD	H	Power Supply For Logic
3	V0	--	Power Supply For LCD
4	/WR	L	Write Signal
5	/RD	L	Read Signal
6	/CS	L	Chip Enable Signal
7	RS	H/L	H:Instruction Code L:Data Code
8	/RST	L	Reset Signal
9-16	DB0-DB7	H/L	Data Bus
17	LEDA	H	Backlight anod
18	VEE	--	Negative Voltage For LCD Driving
19	LEDA	H	Backlight anod
20	LEDK	L	Backlight Negative

Driver Diagram



J2 PIN DESCRIPTION			
PIN	SYMBOL	LEVEL	FUNCTION
1	FLM	H/L	FRAME SIGNAL
2	LP	H	DATA LATCH PULSE
3	CP	L	DATA SHIFT PULSE
4	M	H/L	ALTERNATE SIGNAL FOR LCD
5	V0	--	NEGATIVE VOLTAGE SDJUST
6	VCC	H	POWER SUPPLY FOR LOGIC(+5V)
7	GND	L	GROUND
8	VEE	--	NEGATIVE VOLTAGE INPUT
9	DO	H/L	DATA BIT(0-3)
10	D1		
11	D2		
12	D3		
13	DISP	H	DISPLAY ON/OFF
14	NC	--	NC

深圳市精诚显示技术有限公司

REVISION RECORD		DATE	Model No.: JM320240BS			VER.: A	
1			Part No.: SPEC-JM320240BS			SHEET:	1/1
2			DESIGNER	CHECKED	APPROVED	DATE	UNIT: mm
3							