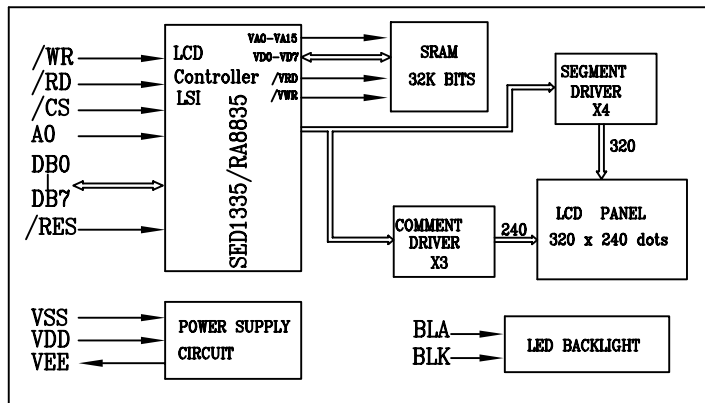


ITEM	SYMBOL	MIN.	MAX.	UNIT
POWER SUPPLY(VDD)	V <sub>DD</sub>	-0.3	7.0	V
INPUT VOLTAGE	V <sub>i</sub>	-0.3	V <sub>DD</sub> +0.3	V
OPERATING TEMP	T <sub>op</sub>	-20	+70	°C
STORAGE TEMP	T <sub>st</sub>	-30	+80	°C

ITEM	STANDARD VALUE
Display Type	320 x 240 Dots
LCD Type	STN(Blue/Yellow-Green/Gray) ; FSTN
Drive Method	1/240Duty, 1/17Bias, VOP:24.0V
Viewing Angle	6 0'clock ; 12 0'clock
Backlight Color	White ; Yellow-Green
Control IC	RA8835/SED1335

### Driver Diagram



PIN DESCRIPTION			
PIN	SYMBOL	LEVEL	FUNCTION
1	/RES	L	RESET SIGNAL(LOW)
2	/RD	H	READ SIGNAL
3	/WR	L	WRITE SIGNAL
4	/CE	L	CHIP SELECTION
5	A0	H/L	COMMAND/DATA SELECT
6-13	DB0-DB7	H/L	DATA BUS
14	VDD	H	POWER SUPPLY FOR LOGIC(+5V)
15	GND	L	GROUND
16	VEE	--	NEGATIVE VOLTAGE INPUT/OUTPUT
17	VO	L	OPERATING VOLTAGE FOR LCD
18	DCLK	H/L	External Clock Input(TP)
19	DOUT	H/L	SERIAL DATA OUTPUT(TP)
20	DIN	H/L	SERIAL DATA INPUT(TP)
21	CSA	H	CHIP SELECT(TP)
22	IRQ	H/L	PEN INTERRUPT(TP)
23	LEDA	H	POWER SUPPLY FOR BACKLIGHT+
24	LEDK	L	POWER SUPPLY FOR BACKLIGHT-