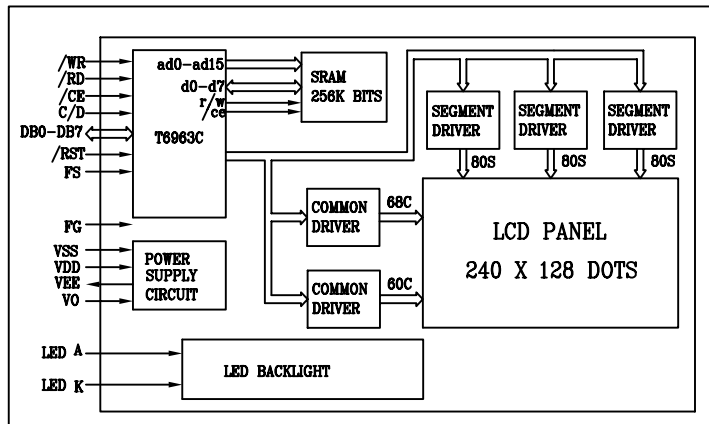


ITEM	SYMBOL	MIN.	MAX.	UNIT
POWER SUPPLY(VDD)	V <sub>DD</sub>	-0.3	7.0	V
INPUT VOLTAGE	V <sub>i</sub>	-0.3	VDD+0.3	V
OPERATING TEMP	T <sub>OP</sub>	-20	+70	°C
STORAGE TEMP	T <sub>ST</sub>	-30	+80	°C

ITEM	STANDARD VALUE
Display Type	240 x 128 Dots
LCD Type	STN(Blue/Yellow-Green/Gray) ; FSTN
Drive Method	1/128Duty, 1/12Bias, VOP18.0V
Viewing Angle	6 O'clock ; 12 O'clock
Backlight Color	White ; Yellow-Green
Control IC	T6963C

J2 DESCRIPTION			
PIN	SYMBOL	LEVEL	FUNCTION
1	VSS	0V	Ground
2	VDD	H	Power Supply For Logic
3	V0	--	Power Supply For LCD
4	/WR	L	Write Signal
5	/RD	L	Read Signal
6	/CE	L	Chip Enable Signal
7	C/D	H/L	H:Instrction Code L:Data Code
8	/RST	L	Reset Signal
9-16	DB0-DB7	H/L	Data Bus
17	FS	H/L	Font Selection(H:6X8dots L:8X8dots)
18	VEE	--	Negative Voltage For LCD Driving
19	LEDA	H	Backlight anod
20	LEDK	L	Backlight Negative

Driver Diagram



J1 PIN DESCRIPTION			
PIN	SYMBOL	LEVEL	FUNCTION
1	FG	--	Frame Ground
2	VSS	0V	Ground
3	VDD	H	Power Supply For Logic
4	V0	--	Power Supply For LCD
5	/WR	L	Write Signal
6	/RD	L	Read Signal
7	/CE	L	Chip Enable Signal
8	C/D	H/L	H:Instrction Code L:Data Code
9	NC	--	NC
10	/RST	L	Reset Signal
11-18	DB0-DB7	H/L	Data Bus
19	FS	H/L	Font Selection(H:6X8dots L:8X8dots)
20	VEE	--	Negative Voltage For LCD Driving
21	LEDA	H	Backlight anod
22	LEDK	L	Backlight Negative