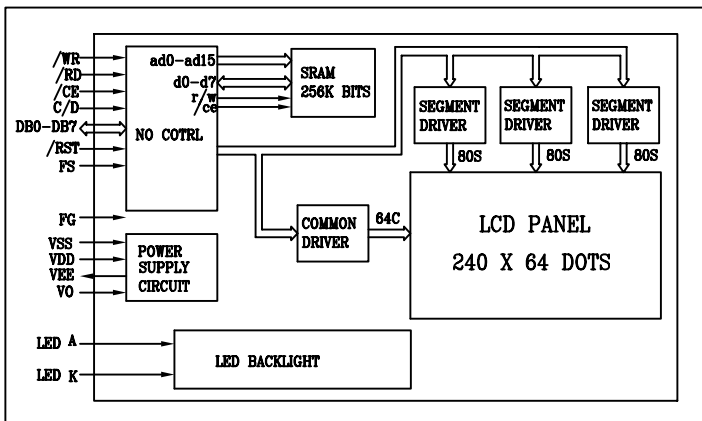


| ITEM | SYMBOL | MIN. | MAX. | UNIT |
|-------------------|-----------------|------|---------|------|
| POWER SUPPLY(VDD) | V _{DD} | -0.3 | 7.0 | V |
| INPUT VOLTAGE | V _I | -0.3 | VDD+0.3 | V |
| OPERATING TEMP | T _{OP} | -20 | +70 | °C |
| STORAGE TEMP | T _{ST} | -30 | +80 | °C |

| ITEM | STANDARD VALUE |
|-----------------|------------------------------------|
| Display Type | 240 x 64 Dots |
| LCD Type | STN(Blue/Yellow-Green/Gray) ; FSTN |
| Drive Method | 1/64Duty, 1/9Bias, VOP12.0V |
| Viewing Angle | 6 0'clock ; 12 0'clock |
| Backlight Color | White ; Yellow-Green |
| Control IC | NO |

Driver Diagram



| J1/PIN | SYMBOL |
|--------|--------|
| 1 | DAT |
| 2 | LP |
| 3 | CP |
| 4 | M |
| 5 | V0 |
| 6 | VDD |
| 7 | VSS |
| 8 | VEE |
| 9 | D1 |
| 10 | D2 |
| 11 | D3 |
| 12 | D4 |
| 13 | DISP |
| 14 | NC |
| 15 | A |
| 16 | K |

| J2/PIN | SYMBOL |
|--------|--------|
| 1 | D1 |
| 2 | DAT |
| 3 | NC |
| 4 | LP |
| 5 | CP |
| 6 | GND |
| 7 | VDD |
| 8 | GND |
| 9 | VEE |
| 10 | V0 |
| 11 | A |
| 12 | K |