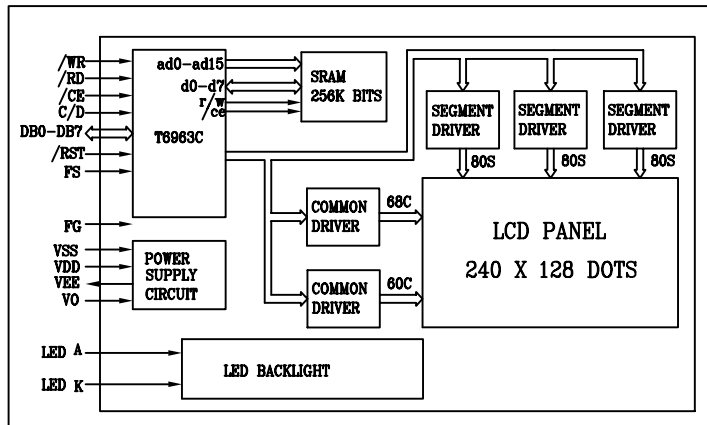


ITEM	SYMBOL	MIN.	MAX.	UNIT
POWER SUPPLY(VDD)	V _{DD}	-0.3	7.0	V
INPUT VOLTAGE	V _i	-0.3	VDD+0.3	V
OPERATING TEMP	T _{op}	-20	+70	°C
STORAGE TEMP	T _{st}	-30	+80	°C

ITEM	STANDARD VALUE
Display Type	240 x 128 Dots
LCD Type	STN(Yellow-Green) ;
Drive Method	1/128Duty, 1/12Bias, VOP18.0V
Viewing Angle	6 O'clock ;
Backlight Color	Yellow-Green
Control IC	T6963C

Driver Diagram



PIN DESCRIPTION

PIN	SYMBOL	LEVEL	FUNCTION
1	FG	--	Frame Ground
2	VSS	0V	Ground
3	VDD	H	Power Supply For Logic
4	VO	--	Power Supply For LCD
5	/WR	L	Write Signal
6	/RD	L	Read Signal
7	/CE	L	Chip Enable Signal
8	C/D	H/L	H:Instruction Code L:Data Code
9	/RST	L	Reset Signal
10-17	DB0-DB7	H/L	Data Bus
18	FS	H/L	Font Selection(H:6X8dots L:8X8dots)
19	LEDA	H	Power Supply For Backlight
20	VEE	--	Negative Voltage For LCD Driving