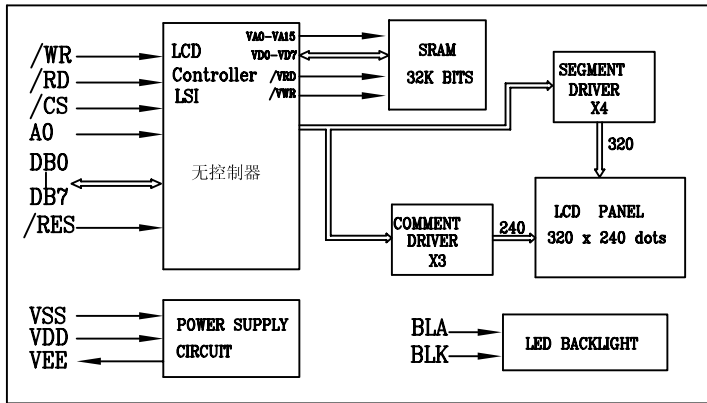


ITEM	SYMBOL	MIN.	MAX.	UNIT
POWER SUPPLY(VDD)	V <sub>DD</sub>	-0.3	7.0	V
INPUT VOLTAGE	V <sub>i</sub>	-0.3	VDD+0.3	V
OPERATING TEMP	T <sub>op</sub>	-20	+70	°C
STORAGE TEMP	T <sub>st</sub>	-30	+80	°C

PIN DESCRIPTION			
PIN	SYMBOL	LEVEL	FUNCTION
1	D0	H/L	DATA BIT(0-3)
2	D1		
3	D2		
4	D3		
5	DISP	H	DISPLAY ON/OFF
6	FLM	H/L	FRAME SIGNAL
7	M	H/L	ALTERNATE SIGNAL FOR LCD
8	LP	H	DATA LATCH PULSE
9	CP	L	DATA SHIFT PULSE
10	VCC	H	POWER SUPPLY FOR LOGIC(+5V)
11	GND	L	GROUND
12	VOUT	--	NEGATIVE VOLTAGE INPUT(-24V)
13	VO	--	NEGATIVE VOLTAGE SDJUST
14	FG	L	FRAME GROUND
15	LEDA	H	Backlight anod
16	LEDK	L	Backlight Negative

ITEM	STANDARD VALUE
Display Type	320 x 240 Dots
LCD Type	STN(Blue/Yellow-Green/Gray) ; FSTN
Drive Method	1/240Duty, 1/17Bias, VOP:24.0V
Viewing Angle	6 O'clock ; 12 O'clock
Backlight Color	White ; Yellow-Green
Control IC	RA8835/SED1335

Driver Diagram



深圳市精诚显示技术有限公司

REVISION RECORD		DATE	Model No.: JM3202401C			VER.: A	
1			Part No.: SPEC-JM3202401C			SHEET:	1/1
2			DESIGNER	CHECKED	APPROVED	DATE	UNIT: mm
3							