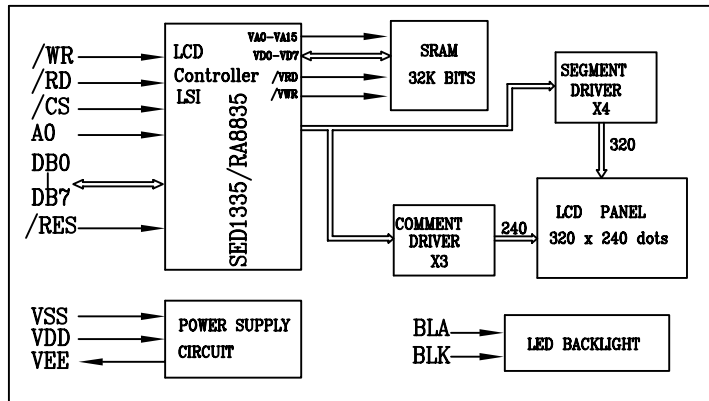


ITEM	SYMBOL	MIN.	MAX.	UNIT
POWER SUPPLY(VDD)	V _{DD}	-0.3	7.0	V
INPUT VOLTAGE	V _i	-0.3	VDD+0.3	V
OPERATING TEMP	T _{op}	-20	+70	°C
STORAGE TEMP	T _{st}	-30	+80	°C

ITEM	STANDARD VALUE
Display Type	320 x 240 Dots
LCD Type	STN(Blue/Yellow-Green/Gray) ; FSTN
Drive Method	1/240Duty, 1/17Bias, VOP:24.0V
Viewing Angle	6 O'clock ; 12 O'clock
Backlight Color	White ; Yellow-Green
Control IC	RA8835/SED1335

CN1 DESCRIPTION			CN3 DESCRIPTION		
PIN	SYMBOL	LEVEL	PIN	SYMBOL	LEVEL
1	VSS	0V	1	VSS	0V
2	VDD	H	2	VDD	H
3	V _O	--	3	V _O	--
4	/WR	L	4	A0	H/L
5	/RD	L	5	/WR	L
6	/CS	L	6	/RD	H
7	RS	H/L	7-14	DB0-DB7	H/L
8	/RST	L	15	/CS	L
9-16	DB0-DB7	H/L	16	/RST	L
17	NC	--	17	VEE	--
18	VEE	--	18	SEL1	H/L
19	LEDA	H	19-22	NC	--
20	LEDK	L			

Driver Diagram



CN2 PIN DESCRIPTION			
PIN	SYMBOL	LEVEL	FUNCTION
1	D0	H/L	DATA BIT(0-3)
2	D1		
3	D2		
4	D3		
5	DISP	H	DISPLAY ON/OFF
6	FLM	H/L	FRAME SIGNAL
7	M	H/L	ALTERNATE SIGNAL FOR LCD
8	LP	H	DATA LATCH PULSE
9	CP	L	DATA SHIFT PULSE
10	VCC	H	POWER SUPPLY FOR LOGIC(+5V)
11	GND	L	GROUND
12	VOUT	--	NEGATIVE VOLTAGE INPUT(-24V)
13	V _O	--	NEGATIVE VOLTAGE SDJUST
14	FG	L	FRAME GROUND

深圳市精诚显示技术有限公司

REVISION RECORD		DATE	Model No.: JM320240DC		VER.: A	
1			Part No.: SPEC-JM320240DC		SHEET:	1/1
2			DESIGNER	CHECKED	APPROVED	DATE
3						UNIT: mm