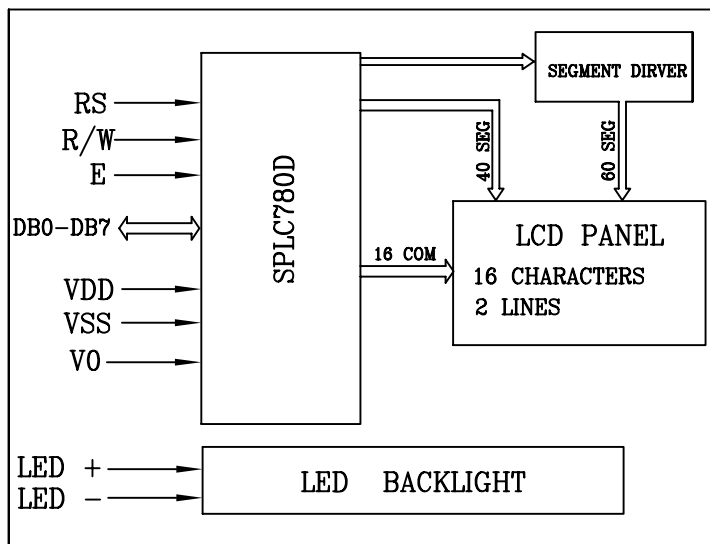


Detail "A"

ITEM	SYMBOL	MIN.	MAX.	UNIT
Power Supply(VDD)	V _{DD}	-0.3	7.0	V
Input Voltage	V _i	-0.3	VDD+0.3	V
Operating Temp.	T _{opr}	-20	+70	°C
Storage Temp.	T _{stg}	-30	+80	°C

ITEM	STANDARD VALUE
Display Type	16(Character) x 2(Row)
LCD Type	STN(yellow-Green)
Drive Method	1/16Duty, 1/5Bias, VOP 4.7V
Viewing Angle	6 0'clock ;
Backlight Color	Yellow-Green
Control IC	SPLC780D

Driver Diagram



PIN DESCRIPTION			
PIN	SYMBOL	LEVEL	FUNCTION
1	VSS	0V	Ground
2	VDD	H	Power Supply For Logic
3	V0	--	Power Supply For LCD
4	RS	H/L	H:Data L:Instruction Code
5	RW	H/L	H:Read L:Write
6	E	H	Chip Enable Signal
7-14	DB0-DB7	H/L	Data Bus
15	LEDA	H	Backlight Anod
16	LEDK	L	Backlight Negative