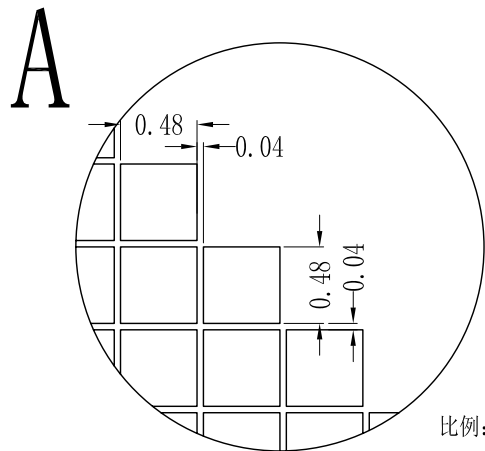


PIN	1	2	3	4	5	6	7	8	9	10	11	12	13	14	15
DESC	VDD	VDD(IRS/PSB/HPMB)	VSS(C86)	VR	VO	V1	V2	V3	V4	CAP2-CAP2+	CAP1+	CAP1-CAP3+	VOUT		
PIN	16	17	18	19	20	21	22	23	24	25	26	27	28	29	30
DESC	VSS	VDD	D7	D6	D5	D4	D3	D2	D1	DO	/RD(E)/WR	A0	RST	CS1B	

DISPLAY TYPE: FSTN/POSITIVE
POLARIZER: TRANSMISSIVE
VIEWING DIRECTION: 6:00-CLOCK
DRIVE METHOD: 1/65DUTY,1/9BIAS
LCM OPERATING VOLTAGE: 3.0v
LCD OPERATING VOLTAGE: 10.0v
OPERATING TEMP: 0 TO 50 Deg.C
STORAGE TEMP: -10 TO 60 Deg.C
CONNECTOR: COG
UNSIGNED TOLERANCE: ±0.20
IC:ST7565R



比例: 20: 1

深圳市精诚显示技术有限公司

REVISION RECORD		DATE	Model No.: JM12864C06		VER.: A	
1			Part No.: SPEC-JM12864C06		SHEET: 1/1	
2			DESIGNER	CHECKED	APPROVED	DATE
3						UNIT: mm